



Review 2



Roview 2

AUTONOMY : 2
HOURS

4K CAMERA
1080P LIVE VIDEO
FEEDBACK

LIGHTWEIGHT : 4KG

WIRELESS CONNECTION





FLOATS/ SAILS



WATERTIGHT HULL

DIMENSIONS: 37cm L.
30cm W. 31cm H.

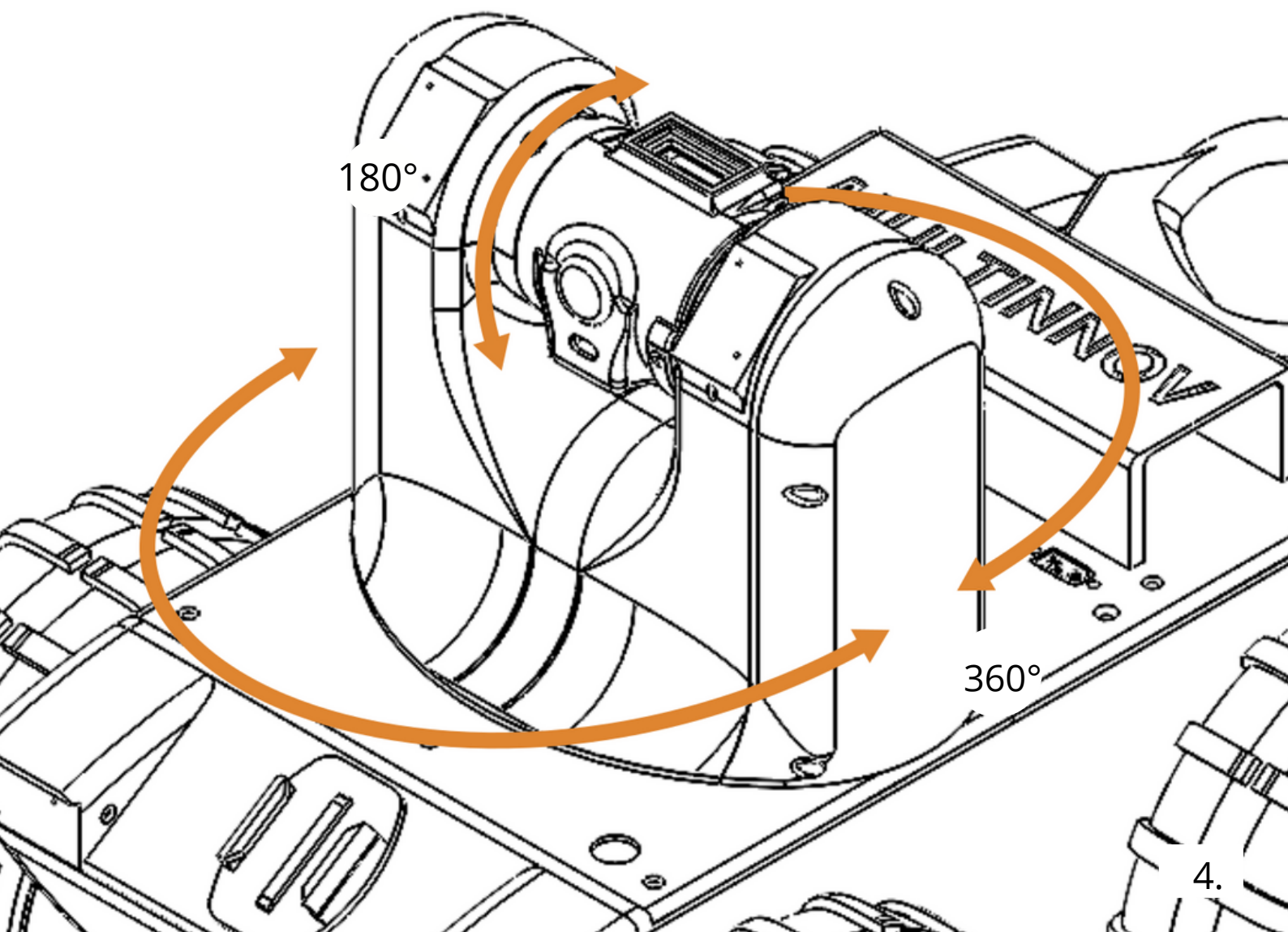


- Watertight hull : capable of operating on land and on water.
- Obstacle clearance : its weight/tyre area ratio allows it to cross all kinds of deposits.
- Autonomy : the on-board battery allows for 2 hours of travel with the Leds on or 8 hours standing still.

Roview 2

THE TURRET

The camera can be rotated 360° horizontally and 180° vertically, allowing you to inspect the entire environment surrounding the Roview2. Its HMI displays all the information required for ITV reports to the NF13508-2 standard.







**THE ROVIEW2, INVOLVED IN YOUR
MOST CRITICAL INSPECTION**

Roview2

LIGHTING

Roview2 is equipped with 6 LED panels allowing it to operate in any dark environment.

ATTACHMENT POINT

Its GoPro type attachment for various sensors, (gas sensor, location system) allow it to take the best quality data for your needs.





DEFECT MEASUREMENT

- Telemetry.
- The crosshair is scaled so you can measure defects in real time on your video feedback.
- Measurement on the different points of interest dynamically during the inspection.

MEASUREMENT OF TRAVELLED DISTANCE

The Roviev2 is fitted with encoded wheels to measure the linear distance travelled.

The distance increases as the device moves forwards and decreases as it reverse.

RANGE EXTENDER

Able to move your transmitting and receiving point to the most convenient location for your operation. It improves your range in the most challenging environments. Driving the Roview2 underground to a depth of 10 metres is possible with the Range Extender.

OPERATION OF THE RANGE EXTENDER



Roview 2

ON-BOARD ELECTRONICS



CAMERA

4K 30 FPS camera

Automatic ISO setting Autofocus

Micro SD recording, FOV 16:9 sensor

160° 12MP

standard Lens - no distorsion



COMMUNICATION LINK

2.4 GHz video band (ISM)

1080P video stream (FULL HD)

Intuitive touch screen

Direct view range > 2Km CE standard

/ 20 km < FCC standard



RADIOCOMMANDE

2.4 GHz radio band (ISM)

Optional range extender

Telemetry

Long range radio

Roview2

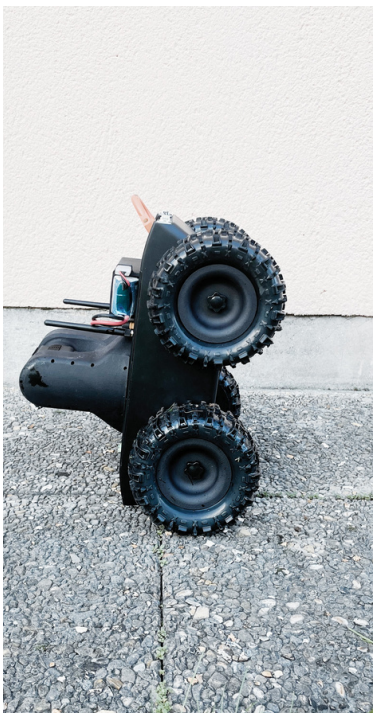
SAFETY FEATURES OF THE ROVIEW

REVERSE

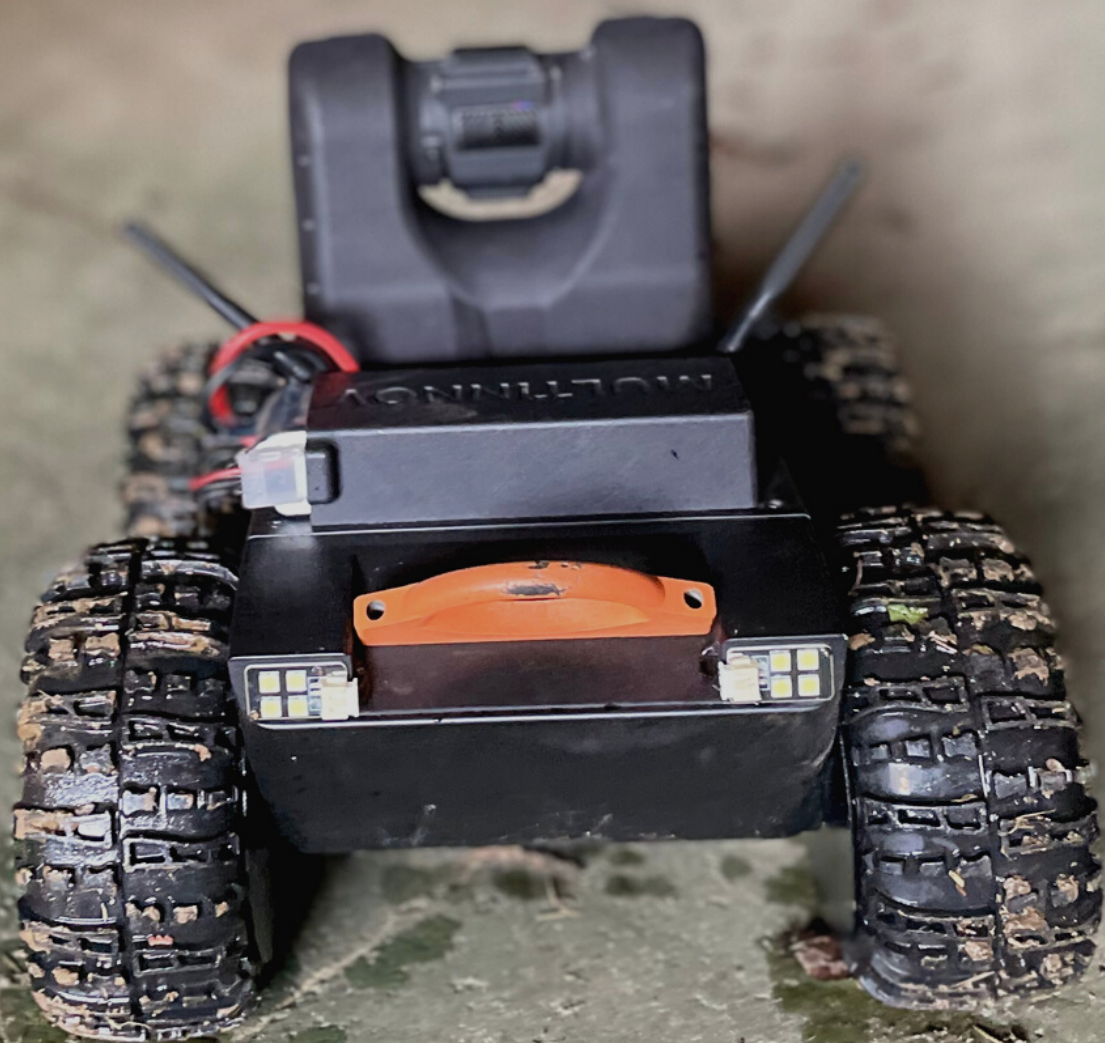
At the click of a button, the Roview2 is capable of intuitive reversing, allowing it to easily drive in both directions through the pipes while keeping cohesive telemetry data for your inspection.

STABLE MACHINE

Naturally stable up to 45°. Its 30° rollover warning, telemetric feedback and stability allow for a safe and qualitative inspection.



CONFINED SPACE, IT'S A DRONE WORK

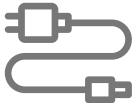


ACCESSORIES

BASIC PACKAGE



TRANSPORT CASE



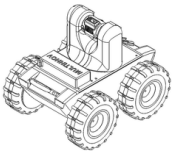
FAST CHARGERS FOR BATTERIES AND RADIO



3 BATTERIES



RADIO CONTROL WITH DISPLAY



ROVIEW2

OPTIONAL



ADDITIONAL SCREEN



ADDITIONAL BATTERY



RANGE EXTENDER

Review 2



TECHNICAL INFORMATION

Roview2

TECHNICAL INFORMATION

CONFIGURATION	Fixed wheels - differential turning
ENGINES	4 motors - 100 rpm
AUTONOMY	2h driving + Leds on - 5h Leds off - 8h standing still
MASS	4 kg - 8.8lbs
DIMENSIONS	37 / 30 / 31cm l.w.h 14 / 11 / 12"
MATERIALS	SLA resin (shell) - Nylon (other parts) - SLS
OPERATING TEMPERATURES	-20°C to +40°C -4°F to 104°F
SECURITY	Rollover warning from 30° onwards failsafe : vehicle stop
OPERATING FREQUENCIES	2400 to 2483 MHz
CEM	2.4ghz 20dbm (CE) 23dbm (FCC)



TECHNICAL INFORMATION

TOTAL POWER

10 000 lumens

POWER PER PANEL

1666 lumens

**PROTECTION
CLASS**

Splash and dust resistant camera
watertight shell

Roview 2

CAMERA

SENSOR	4K, Sony IMX117 1/2.3 inch 12 MP
VIDEO FORMAT	MP4
PHOTO FORMAT	JPG
MAX. VIDEO RECORDING RESOLUTION	3840/2160 - 30 FPS (4k)
VIDEO STREAMING RESOLUTION	1920/1080 - 30 FPS (HD)
PHOTO RESOLUTION	3840/2160 (4K)
FOV	110° diagonal 90° horizontal
LENS	2.1mm - hard focus
ISO	Automatic management
SAVING FILES	CMicro SD card (onboard the drone) Class 10 minimum
SD CARDS SUPPORTED	32 - 64 Go (suggested capacities)
SUPPORTED FORMAT	FAT 32

BATTERY

CAPACITY	5000mah
TYPE	LIPO
RATED VOLTAGE	14.8V (4S)
ENERGY	74 WH
CHARGING TIME	1 Hour (1C)
WEIGHT	480g - 1.05lbs
OPERATING TEMPERATURES	-20°C to 40°C -4°F to 104°F

Review 2

TECHNICAL SPECIFICATIONS



RADIO & ACCESSORIES

RADIOCOMMANDE

OPERATING FREQUENCIES

2 400 to 2 483 MHz

STANDARDS

CE/SRRC/FCC/MIC

OPTIONAL STANDARDS

IN84 (CNPE -
emissions <50mW)

CEM

2.4 Ghz / 23 dBm (FCC)
23dbm(FCC)

RADIO LINK

Duplex

SPAN IN FREE SPACE

12 km - 7.5 mi (CE)
20 km - 12 mi (FCC)

CONFINED SPACE RANGE

Up to 400m
437yd

Roview 2

RADIOCOMMANDE

RADIO DIMENSION

22 / 10,5 / 3,5 cm
8,6 / 4 / 1.4 "
(without antennas)

SCREEN DIMENSIONS

5.46", 16 million colours
touchscreen

WIGHT

520g - 1.14lbs

OPERATING TEMPERATURE

-20°C to +40°C
-4°F to 104°F

BATTERY

LiPo 4950 mAh
USB Charging

RECEPTION SENSITIVITY

-120 dBm

ANTENNAS

1 Omnidirectional
1 directional

TRANSPORT CASE

DIMENSIONS

67 / 50 / 38 cm
26 / 20 / 15"

WEIGHT

16 kg - 35 lbs
(basic package)

COMPLIANCE

Complies with
IATA regulations

Size/weight
compatible with checked
luggage



CONTACT

14 bis rue de l'Eglise
76460 Néville, France



+33 (0)9 70 93 78 37



contact@multinnov.com



**Nous sommes présents
sur les réseaux sociaux :**

@multinnov

